

PENDANT LIGHT (LED BASE)

Naval Surface mounted Pendant Light with Opal Polycarbonate Diffuser. Conforms to IP54. Available with 2x6 Watt LED lamps.

IP 54

Features

Housing & Cover : Al. die casted body with Epoxy Polyester powder coated Siemens Grey surface finish.(can be customised on requirement)

Control gear: Control gear unit consists of open construction Electronic Power Supply and mains connector with Loopin Loopout facility.

Mains Supply Voltage : 110....230 Volt AC Singal Phase & 24 Volt DC

Optional : 2 nos. Vibrating Dampers for Mounting will

Optics

Opal Polycarbonate diffuser.

Installation

Surface mounted type.

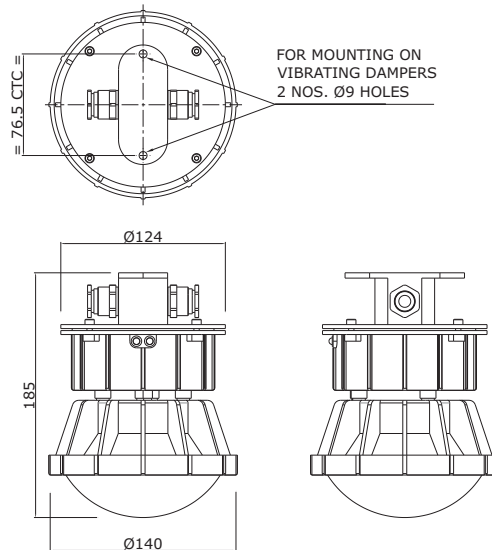
Applications

For Gangway, Passage, Engine Room Illumination

Product Photo



Product Dimensions



How To Order This Product

| Catalogue Number | LED Type | Dimensions (mm) | | | Electrical Paramters | | Accessories | | | |
|------------------|----------|-----------------|-----|-----|----------------------|---------------------|------------------|-----------|---------|-------------|
| | | A | B | C | Input Voltage | Mains Current (Amp) | Power Supply | Capacitor | Starter | Lamp Holder |
| MME-COM-19 | 2x6W LED | 185 | 140 | 124 | 110..230 V AC | 0.750 | 15W, 0.750A, 24V | NA | NA | NA |
| MME-COM-19-DC | 2x6W LED | 185 | 140 | 124 | 24 V DC | 0.750 | 15W, 0.750A, 24V | NA | NA | NA |

